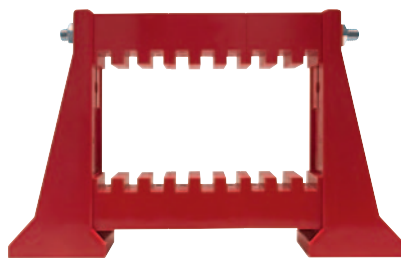
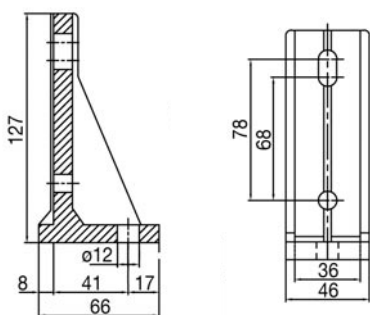
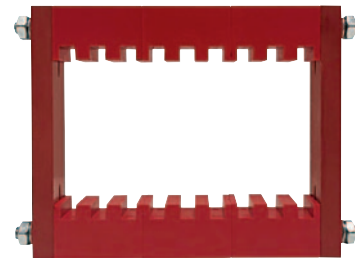
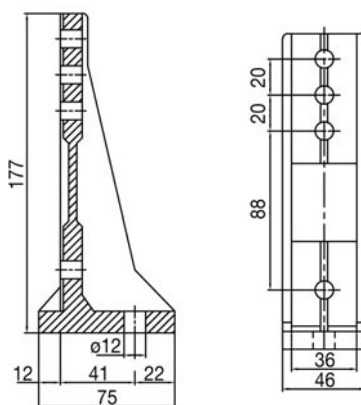


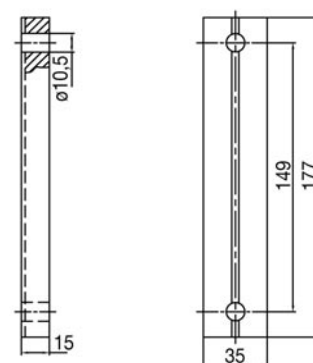
**PSB/2**  
Spalla di sostegno *Lateral support*



**PSB/1**  
Spalla di sostegno *Lateral support*



**PSB/120**  
Spalla di sostegno *Lateral support*



## Portasbarre verticale tipo PSB

Prodotti tramite stampaggio a compressione e in massa poliestere rinforzata con fibra di vetro BMC certificata UL e classificata HL2 secondo la EN 45545-2. Portasbarre verticale componibile adatto per sbarre da mm 40x6 min. a mm 120x10 max. Per realizzare un portasbarre occorrono: 2 Spalle, 2 tiranti di assemblaggio e un numero di blocchetti necessario per formare la composizione desiderata.

## Busbar systems PSB

Manufactured by compression moulding and made only in polyester material reinforced with fiberglass BMC RF-3/20 UL certified and classified HL2 according to EN 45545-2. Assembleable vertical rodholders suitable for bars from min. mm 40x6 to max mm 120x10. To realise a busbar system are needed: 2 lateral supports, 2 assembly screws and a necessary number of blocks required to obtain the composition needed.

Spalla <i>Lateral Support</i>	Blocchetti <i>Blocks</i>	Sbarre <i>Rods</i>	Conf. <i>Pack.</i>
<b>PSB/2</b>	PSB 6	40 x 6	144
	PSB 8	40 x 8	
	PSB 10	40 x 10	
<b>PSB/1</b>	PSB 6	60 x 6	96
	PSB 8	60 x 8	
	PSB 10	60 x 10	
<b>PSB/120</b>	PSB 6	120 x 6	
	PSB 8	120 x 8	
	PSB 10	120 x 10	



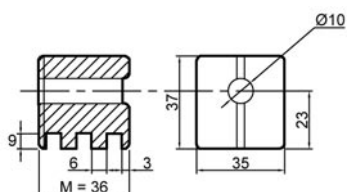
I nostri prodotti sono certificati UL:  
Our products are UL certified:  
File Nr. E502533 - File Nr. E502534



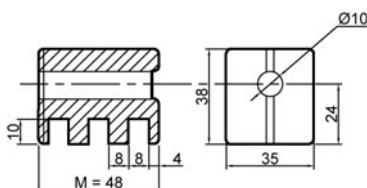
I nostri prodotti sono conformi alle seguenti direttive Europee:  
Our products are in conformity with the European standards:  
Direttiva Bassa Tensione (Low Voltage Directive) 2014/35/EU  
Regolamento REACH (EC Regulation) Nr. 1907/2006  
Direttiva RoHS (Council Directive) 2011/65/CE



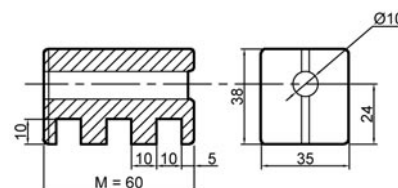
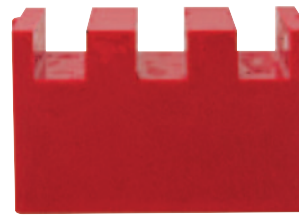
100% prodotto Italiano  
100% Italian product



**PSB/6**  
Blocchetto sbarre 6 mm  
Block for rods thickness 6 mm

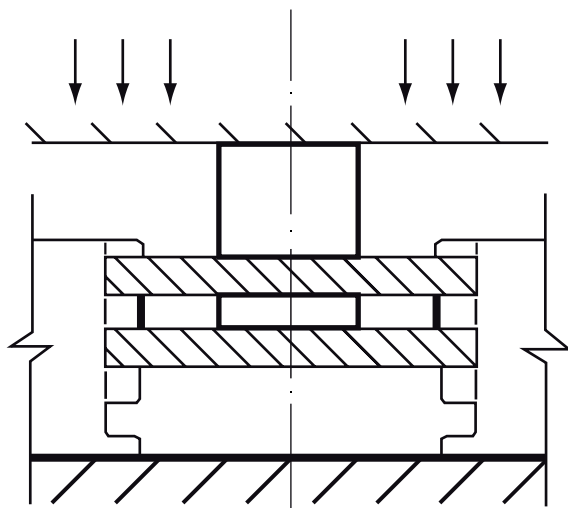


**PSB/8**  
Blocchetto sbarre 8 mm  
Block for rods thickness 8 mm



**PSB/10**  
Blocchetto sbarre 10 mm  
Block for rods thickness 10 mm

**Flessione del dente con inizio rottura**  
*Elastic deflection of the tooth with beginning of rupture*



Articolo Article	Flessione Cantilever (Kg)
PSB/6	950
PSB/8	1130
PSB/10	1375

Temperatura di esercizio / *Operating temperature*: -40° C + 130° C

Carichi di rottura / *Breaking charges*: Tolleranza / *Allowance* ± 10%

Reazione al fuoco / *Fire reaction*: Class UL94-V0 and HL2 for requirements R7 and R22/23 of EN45545-2



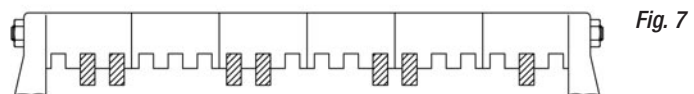
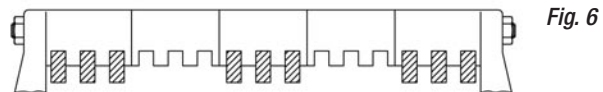
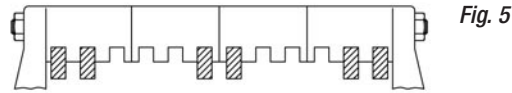
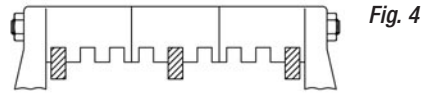
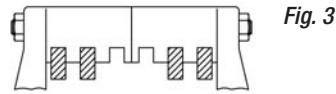
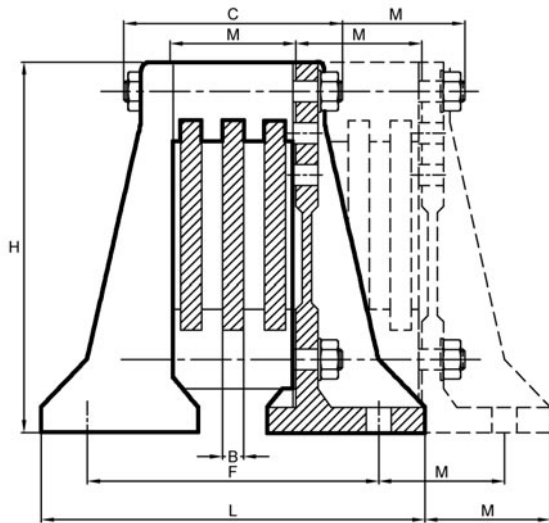
I nostri prodotti sono certificati UL:  
Our products are UL certified:  
File Nr. E502533 - File Nr. E502534



I nostri prodotti sono conformi alle seguenti direttive Europee:  
Our products are in conformity with the European standards:  
Direttiva Bassa Tensione (Low Voltage Directive) 2014/35/EU  
Regolamento REACH (EC Regulation) Nr. 1907/2006  
Direttiva RoHS (Council Directive) 2011/65/CE



100% prodotto Italiano  
100% Italian product



**Fig. 1**  
Esempio di portasbarre unipolare realizzato con 3 spalle in parallelo

**Fig. 3, Fig. 4, Fig. 5, Fig. 6**  
Rappresentano possibili realizzazioni

**H**  
Con spalla di sostegno PSB/2=127 mm, PSB/1=177 mm

**M**  
Con blocchetto PSB/6=36 mm, PSB/8=48mm, PSB/10=60mm

**Fig. 1**  
Example of unipolar busbar system made with 3 parallel rods

**Fig. 3, Fig. 4, Fig. 5, Fig. 6**  
They show some possible realizations

**H**  
With lateral support PSB/2=127 mm, PSB/1=177 mm

**M**  
With block PSB/6=36 mm, PSB/8=48mm, PSB/10=60mm

## LEGENDA LEGEND

**A** Numeri blocchetti  
Number of the blocks

**C** Lunghezza tiranti  
Length of the bolts

**F** Interasse fori  
Distance between centers of the holes

**M** Modulo  
Module

**B** Spessore barra  
Number of the blocks

**B** Ingombro esterno  
Exterior encumbrance

**H** Altezza  
Height

### PSB/1


Fig.	A	B	C	L	F	H	M
1	1	6	70	162	118	177	36
	1	8	90	174	130	177	48
	1	10	100	186	142	177	60
3	2	6	110	198	154	177	36
	2	8	140	222	178	177	48
	2	10	160	246	202	177	60
4	3	6	150	234	190	177	36
	3	8	194	270	226	177	48
	3	10	230	306	262	177	60
5	4	6	194	270	226	177	36
	4	8	242	318	274	177	48
	4	10	290	366	322	177	60
6	5	6	230	306	262	177	36
	5	8	290	366	322	177	48
	5	10	350	426	382	177	60
7	6	6	270	342	298	177	36
	6	8	338	414	370	177	48
	6	10	410	486	442	177	60

### PSB/2

Fig.	A	B	C	L	F	H	M
1	1	6	70	152	118	127	36
	1	8	90	164	130	127	48
	1	10	100	176	142	127	60
3	2	6	110	188	154	127	36
	2	8	140	212	178	127	48
	2	10	160	236	202	127	60
4	3	6	150	224	190	127	36
	3	8	194	260	226	127	48
	3	10	230	296	262	127	60
5	4	6	194	260	226	127	36
	4	8	242	308	274	127	48
	4	10	290	356	322	127	60
6	5	6	230	296	262	127	36
	5	8	290	356	322	127	48
	5	10	350	416	382	127	60
7	6	6	270	332	298	127	36
	6	8	338	404	370	127	48
	6	10	410	476	442	127	60

# TEST PER RESISTENZA AL CORTOCIRCUITO EN 61439-2

## SHORT-CIRCUITING RESISTANCE EN 61439-2




Independent, accredited testing station · Member laboratory of STL and LOVAG

## TEST REPORT


NO. 1469.2111429.0957

MBS AG Eisbachstraße 51 74429 Sulzbach-Laufen GERMANY	CLIENT											
MBS AG	MANUFACTURER											
Busbar systems for low-voltage switchgear and controlgear assemblies with vertical busbar supports of the type PSB, L & Z	TEST OBJECT											
PSB/1, PSB/2, PSB/10, PSB/120, spacer PSB, busbar support L 100, Z 185-2	TYPE											
90175, 90176, 90177, 90180, 2.8246, 90391, 90385	SERIAL NO.											
Rated operational voltage Rated insulation voltage Rated peak withstand current Rated short-time withstand current Rated frequency	<table style="border: none;"> <tr><td style="padding-right: 10px;"><math>U_e</math></td><td style="padding-right: 10px;">400 V</td><td rowspan="5" style="vertical-align: middle; padding-left: 20px;">RATED CHARACTERISTICS GIVEN BY THE CLIENT</td></tr> <tr><td><math>U_i</math></td><td>1000 V</td></tr> <tr><td><math>I_{pk}</math></td><td>up to 264 kA</td></tr> <tr><td><math>I_{sw}</math></td><td>up to 120 kA, 1s</td></tr> <tr><td>f</td><td>50 Hz</td></tr> </table>	$U_e$	400 V	RATED CHARACTERISTICS GIVEN BY THE CLIENT	$U_i$	1000 V	$I_{pk}$	up to 264 kA	$I_{sw}$	up to 120 kA, 1s	f	50 Hz
$U_e$	400 V	RATED CHARACTERISTICS GIVEN BY THE CLIENT										
$U_i$	1000 V											
$I_{pk}$	up to 264 kA											
$I_{sw}$	up to 120 kA, 1s											
f	50 Hz											
IEC 61439-2: 2011-08, EN 61439-2: 2012-06	NORMATIVE DOCUMENT											
Verification of short-circuit withstand strength	RANGE OF TESTS PERFORMED											
16 and 17 August 2012	DATE OF TEST											
See Sub-clause 4.6	TEST RESULT											




**RONALD BORCHERT**  
Senior engineer  
Berlin, 07 December 2012




**MICHAEL HEISE**  
Test engineer in charge



Independent test laboratory accredited by the German Accreditation Body DAKKS, Deutsche Akkreditierungsstelle GmbH in the fields of high-voltage switchgear and their components, cables and conductors as well as industrial low-voltage apparatus.  
IPH Institut „Profitec für elektrische Hochleistungstechnik“ GmbH (IPH Berlin) is a subsidiary of CESI SpA, Milan.



Deutsche Akkreditierungsstelle  
D-PL-12107-01-01