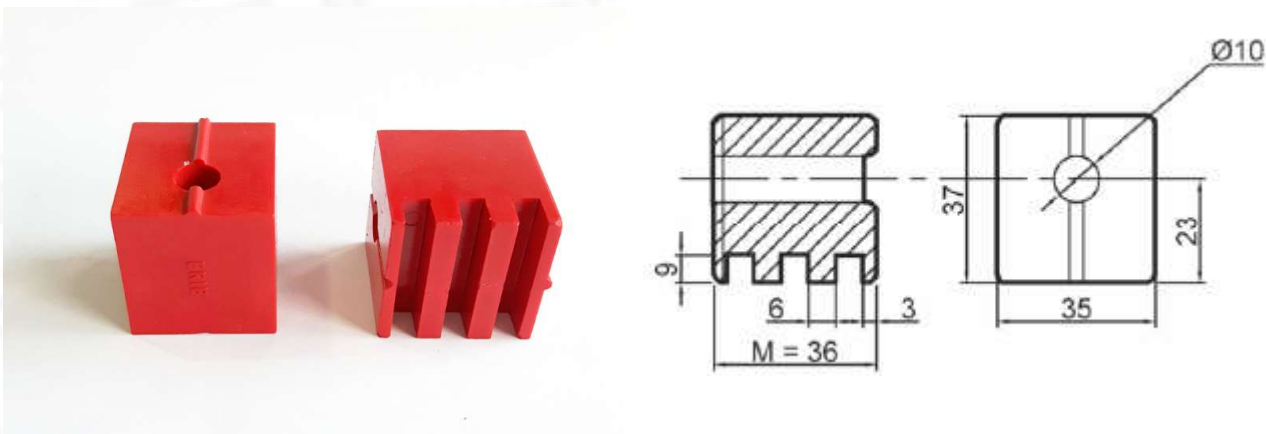


Data Sheet PSB/6



UL Certification	File Nr. E502533 for category QEUY2/8 for use below 1000V
Material	Polyester material reinforced with fiberglass BMC RF 3/20
Operating Temperature	°C: - 40° + 130°
Fire reaction	UL94-V0 File Nr. E205214
	HL2 according to the EN45545-2
Elastic Deflection of the tooth with beginning of rupture	950 kgs
Package	36 pcs
Weight of package	2,50 kgs



ERIM SRL

Via Bovisasca 24/26 - 20026 - Novate Milanese (MI) - Italy

Tel. (+39) 02/39100533 – Fax. (+39) 02/49698772 – info@erim.it – www.erim.it

P.I./C.F. IT 01803920154 – R.E.A. MI N. 875797 – Reg. Imp. N. 158589 Trib. MI

Cod. SDI SUBM70N