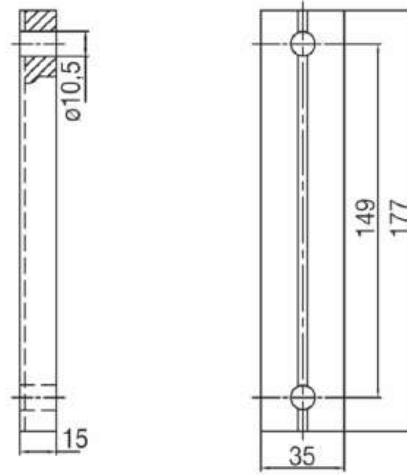




Data Sheet PSB/120



UL Certification	File Nr. E502533 for category QEU2/8 for use below 1000V
Material	GPO3
Operating Temperature	°C: - 40° + 130°
Fire reaction	UL94-V0
	M1 - F0
Weight	0,16 kgs



ERIM SRL

Via Bovisasca 24/26 - 20026 - Novate Milanese (MI) - Italy

Tel. (+39) 02/39100533 – Fax. (+39) 02/49698772 – info@erim.it – www.erim.it

P.I./C.F. IT 01803920154 – R.E.A. MI N. 875797 – Reg. Imp. N. 158589 Trib. MI

Cod. SDI SUBM70N